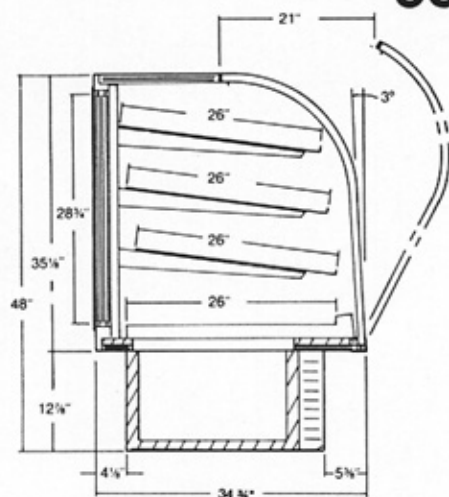


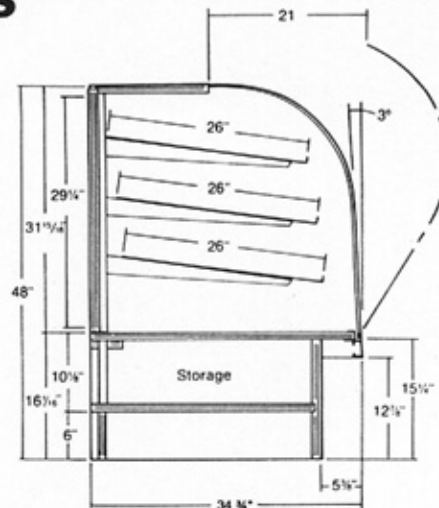
"ESP" Tilt-Out Curved Front High Volume Display Cases

93000 Series



Model 93048R

REFRIGERATED



Model 93048

NON-REFRIGERATED

Model No.	Dimensions L x D x H	Rows of Shelves	No. of Pan Capacity	Est. Crated Weight
93040-48R	48" x 34 3/4" x 40"	2	6-Full/3-Half	690 lbs.
93040-59R	59" x 34 3/4" x 40"	2	9-Full	740 lbs.
93040-77R	77" x 34 3/4" x 40"	2	12-Full	870 lbs.
93048-48R	48" x 34 3/4" x 48"	3	8-Full/4-Half	710 lbs.
93048-59R	59" x 34 3/4" x 48"	3	12-Full	770 lbs.
93048-77R	77" x 34 3/4" x 48"	3	16-Full	900 lbs.

Model No.	Dimensions L x D x H	Rows of Shelves	No. of Pan Capacity	Est. Crated Weight
93040-48	48" x 34 3/4" x 40"	2	6-Full/3-Half	480 lbs.
93040-59	59 1/4" x 34 3/4" x 40"	2	9-Full	525 lbs.
93040-77	77 1/4" x 34 3/4" x 40"	2	12-Full	610 lbs.
93048-48	48 1/4" x 34 3/4" x 48"	3	8-Full/4-Half	490 lbs.
93048-59	59 1/4" x 34 3/4" x 48"	3	12-Full	550 lbs.
93048-77	77 1/4" x 34 3/4" x 48"	3	16-Full	635 lbs.

FEATURES & FINISHES:

- Insulated Curved Front Glass Panel
- Solid Work Surface - Top
- Mirror Ends
- Framed, Sliding Insulated Mirror Doors
- Top Light & Shelf Lights with Lamps and Shields
- Heavy Duty Deck - White Finish
- Heavy Duty Steel Base
- White Wire Shelves (7 1/2° Slanted)
- Standard High Pressure Laminate (HPL) Exterior Finish
- Complies to "CRMA" Health & Sanitation Standard CRS-S1-96

REFRIGERATION SYSTEM:

- Self-Contained Air-Cooling Unit in Base
- Removable for Ease of Maintenance and Cleaning
- 120 Voltage - 60 cycle - Single-phase
- 1/3 HP - 10 Amps (48R)
- 1/2 HP - 12 Amps (59R & 77R)
- Automatic Energy Saving Condensate Evaporator
- 10' Cord and Plug
- U.L. Listed

FEATURES & FINISHES:

- Curved Front Glass Panel
- Solid Work Surface
- Mirror Ends
- Aluminum Framed Sliding Mirror Doors
- Top Light & Shelf Lights with Lamps & Shields
- White HPL Deck
- Open Rear Storage in Base - White Interior
- White Wire Shelves (7 1/2° Slanted)
- Standard HPL Exterior Finish
- U.L. Listed

ACCESSORIES:

- Package Ledge
- Transparent Mirror Doors
- Vented Doors
- Brassstone Finish
- Matching Wood Corners and Work Counters
- "ETL" Sanitation Listed (Conforms to Std. NSF-2)

ACCESSORIES:

- Package Ledge
- Transparent Mirror Doors
- Brassstone Finish
- 4-Year Extended Motor compressor Parts Warranty
- Matching Wood Corners and Work Counters