

P-660 PIZZA MIXER

HOBART

FOOD EQUIPMENT

SPECIFICATIONS Listed by Underwriters Laboratories, Inc and National Sanitation Foundation. Certified by Baking Industry Sanitation Standard Committee.

MOTOR: 2½ H.P., Hobart built, high torque, ball bearing, ventilated within mixer enclosure. Three phase is polyphase squirrel cage, induction run type. Single phase is capacitor-start, induction run type.

ELECTRICAL: Furnished in 208-240/60/3, 208/60/1 or 240/60/1 - UL Listed.

CONTROLS: Magnetic contactor with automatic resetting bimetallic thermal overload protection internally mounted. "Start-Stop" pushbuttons protected by rubber caps. A 15 minute electric timer is standard.

TRANSMISSION: Constant mesh helical gears of hardened alloy steel. A hardened steel worm and alloy bronze worm wheel transmit power from motor to transmission. All shafts are mounted in ball or roller bearings.

LUBRICATION: Circulating oil lubrication furnished to all gears. Visual type transmission oil level gauge.

SPEEDS: Two speed transmission. Operating speed can be selected or changed only while machine is stopped.

	Agitator (RPM)	Attachment (RPM)
First	56	175
Second	99	305

BOWLS AND BEATERS: 60-Quart capacity, standard with sanitary, open rim design. Bowl of heavy tinned steel. Bowl lift hand operated, self-locking in any position. A full line of beaters available.

FINISH: Standard machine Metallic Gray, Top Charcoal Gray Polyurethane Enamel.

STANDARD EQUIPMENT: Basic Mixer with one 60-Quart Tinned Bowl and ED Dough Arm.

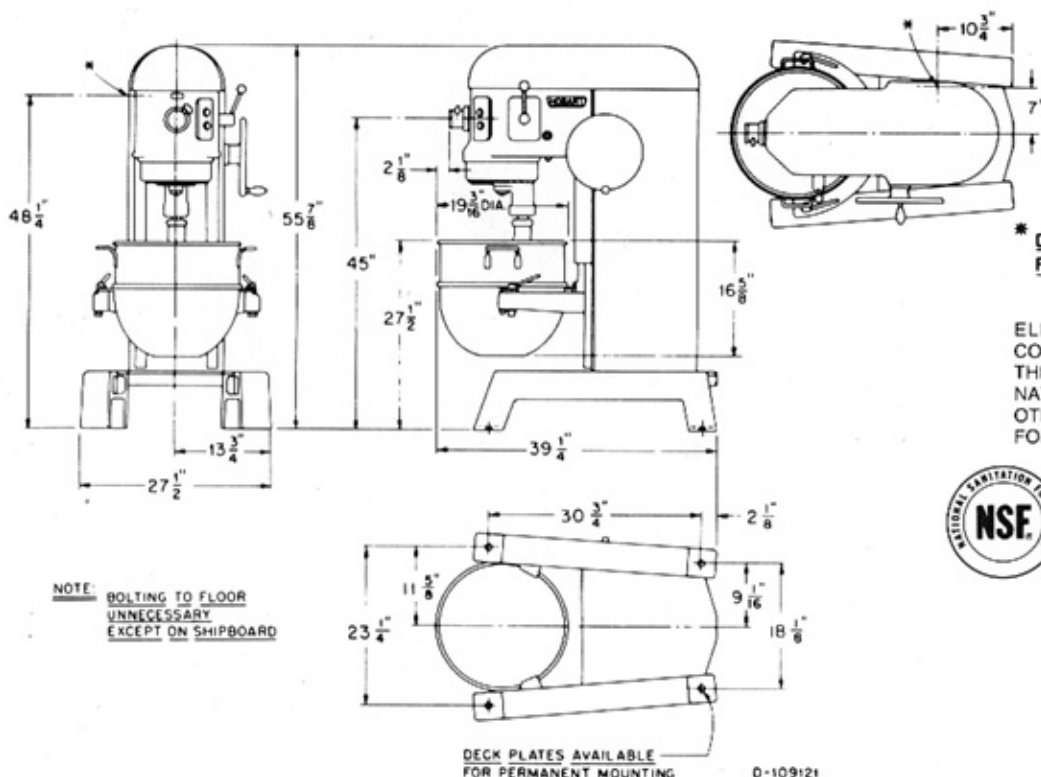
ATTACHMENTS AND ACCESSORIES: The following are available at extra cost;

Stainless Steel Bowl	40 qt. or 30 qt. bowls/bowl adapters
9" Vegetable Slicer	Bowl Extension Ring
Dicer-French Fry Cutter	Bowl Splash Cover
Meat Chopper	Bowl Truck
Tray Support	Soup Strainer/Colander
"B" Beater	

WEIGHT: Net 853 lbs.
Shipping 880 lbs.

As continued product improvement is a policy of Hobart, specifications are subject to change without notice.

DETAILS AND DIMENSIONS



0-109121



EXECUTIVE OFFICES
TROY, OHIO 45374